

STANDARD INFORMATION

Standard: UL 985

Standard ID: Household Fire Warning System Units [UL 985:2015 Ed.6+R:19May2025]

Previous Standard ID: Household Fire Warning System Units [UL 985:2015 Ed.6+R:07Oct2022]

EFFECTIVE DATE OF NEW/REVISED REQUIREMENTS

Effective Date: **May 19, 2027**

IMPACT, OVERVIEW, AND ACTION REQUIRED

Impact Statement: Per our accreditation, Intertek is required to review reports against the standard revisions to confirm compliance. Once compliance is confirmed, the standard reference in the report is updated to show continued compliance to the technical requirements of the standard. Reports not updated to this version by the effective date above will be withdrawn.

Overview of Changes: Jarring Test Methods for Desktop, Freestanding, Non-wall and Non-ceiling Type Mounted Products. Specific details of new/revise requirements are found in table below.

Current Listings Not Active? – Please immediately identify any current Listing Reports or products that are no longer active and should be removed from our records. We will do this at no charge as long as Intertek is notified in writing prior to the review of your reports.



STANDARD INFORMATION

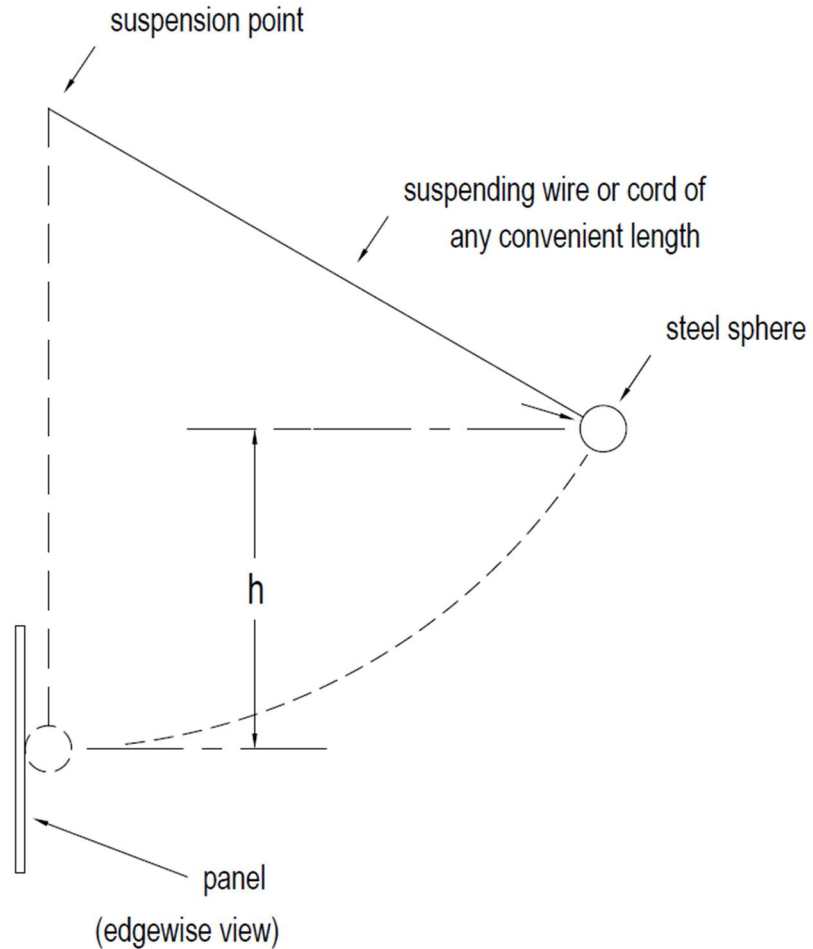
CLAUSE	VERDICT	COMMENT
49		<i>Section 49 has been deleted;</i> Jarring Test
49A		<i>New section added;</i> Jarring Test
49A.1		A household fire warning product shall withstand jarring resulting from impact and vibration in the intended application without: a) Resulting in a risk of electric shock or fire hazard; b) Causing false operation of any part; and c) Impairing the subsequent intended operation, as evidenced by compliance with the requirements in the Normal Operation Test, Section 41.
49A.2		Products utilizing freestanding, or other non-wall- or ceiling-type mounting shall comply with the requirements in 49A.1 when subjected to the jarring described in 49A.4. Desktop products shall comply with the requirements of 49A.1 when subjected to the conditions described in 49A.6.
49A.3		Products, including batteries where applicable, weighing less than 30 lbs (13.6 kg) and utilizing wall or ceiling mount configurations shall comply with the requirements in 49A.1 when subjected to the jarring described in 49A.5. Products, including batteries where applicable, weighing 30 lbs (13.6 kg) or more and utilizing wall or ceiling mount configurations shall comply with the requirements in 49A.1 when subjected to the jarring described in 49A.4 or 49A.5. The direct impact shall be applied to the center of the side of the product intended to be adjacent to the mounting surface during intended mounting.
49A.4		An impact of 3 ft lb (4.08 J) is to be applied directly to any non-display area of the product by means of a 1.18 lb (540 g), 2 inch (51 mm) diameter steel sphere swung through a pendulum arc from a height (h) of 30.5 inches (775 mm). The at-rest suspension point of the steel sphere is to be 1 inch (25.4 mm) in front of the plane of the product to be impacted.
49A.5		The product is to be mounted as intended to the center of a 6 by 4 foot (1.8 by 1.2 m) nominal 3/4 inch (19.1 mm) thick plywood board that is secured in place at four corners. A 3 ft lb (4.08 J) impact is to be applied to the center of the reverse side of this board by means of a 1.18 lb (540 g), 2 inch (51 mm) diameter steel sphere either: a) Swung through a pendulum arc from a height (h) of 30.5 inches (775 mm); or b) Dropped from a height (h) of 30.5 inches (775 mm) depending upon the mounting of the equipment. See Figure 49A.1.



CLAUSE	VERDICT	COMMENT
--------	---------	---------

Jarring test

Figure 49A.1



Desktop products shall be permitted provided both of the following conditions are met:

49A.6

- a) The product is supervised such that a tamper event/signal is annunciated when it is displaced from the mounting position; and
- b) The product operates as intended after being dropped four consecutive times onto a hardwood floor from a height of 30.5 inches (775 mm). If the sample has corners, it is to be dropped on a different corner each time, selecting the four corners that appear to be most susceptible to damage. If the product has no corners, it is to be dropped on the four portions that appear to be most susceptible to damage. Reassembly without the use of tools is allowed provided no permanent damage has occurred.

49A.7

During this test, the product shall be operated in the normal standby condition and connected to a rated source of supply.